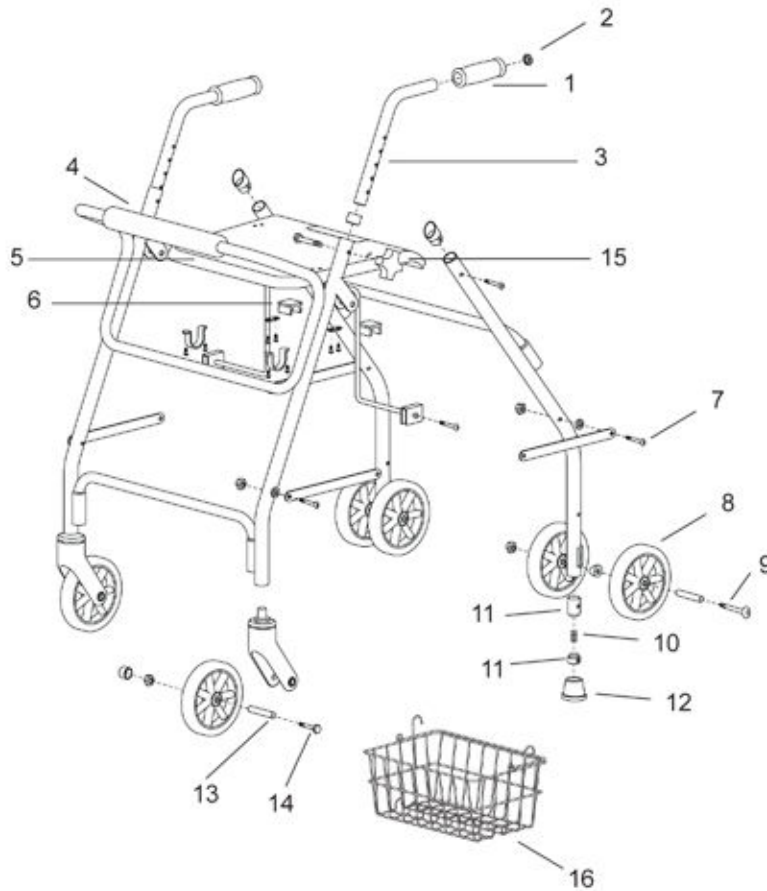




4200LX

No	Designation (Qty/Rollator)	UofM	Art. no
1	5" Rubber Handles	PR	P42052
2	Nylon Tube Cap - 19mm	EA	P42013
3	Push Handle	EA	P42017
4	Backrest Foam	EA	P42009
5	Plastic Seat	EA	P42015
6	Front Seat Clamp (2 required)	EA	P42041
7	Bracket Bolt and Nut	EA	P42005
8	5" Wheel with Bearings (6 required)	EA	P42020
	Wheel Bearing (2/wheel)	EA	H48022
9	Rear Wheel Axle and Nut	EA	P42023
Brake			
10	Brake Spring	EA	P42027
11	Nylon Brake Assembly	EA	P42028
12	Rubber Brake Tip	EA	P42026
13	Bearing Spacer	EA	P42019
14	Front Wheel Axle and Nut	EA	P42022
15	Star Handle and Bolt	EA	89096
16	Basket 15"38.1cm [L] x 10"25.4cm [W] x 7"17.8cm [D]	EA	4210



Model Number : 4200

Parsons ADL Inc.
1986 Sideroad 15, Tottenham, ON L0G 1W0
(800) 263-1281 www.parsonsadl.com

All Rights Reserved. 4200 LX Parts Rev A-January 2016-Released
 This manual may not be reproduced in part or in whole without the written permission of the publisher.

